

# 3300RM<sub>2</sub>

# Refrigerant Detector



The 3300RM<sub>2</sub> is a multi-channel gas detection monitor using a unique infrared absorption technology. The monitor provides up to 8 sampling channels with a variety of output options.

## Product Features

### Uses

- Monitoring and response to leakage from various gases including: CFC, HCFC, HFC, HFO and others on request.
- Systems employed in refrigeration, HVAC, process and military environments.

### Product Extensions

- Remote annunciation.
- Automated alarm emails and KPI's (Key Performance Indicator) using the Parasense Information Centre website.

### Features

- Draws a sample of air through remote tubing and analyses for content of target gas and displays the results as PPM.

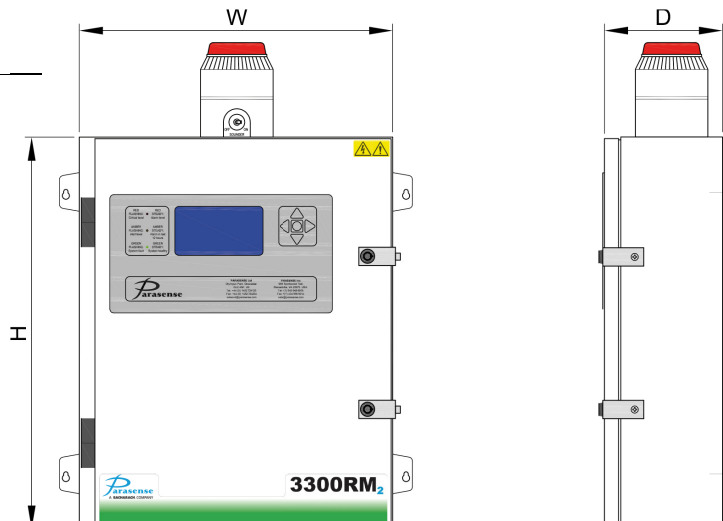
- Continuous logging of samples and response to excursions above alarm thresholds.
- 1 sampling pump per channel for enhanced reliability and longevity.
- Configurable via display/keypad.

### Certification Details

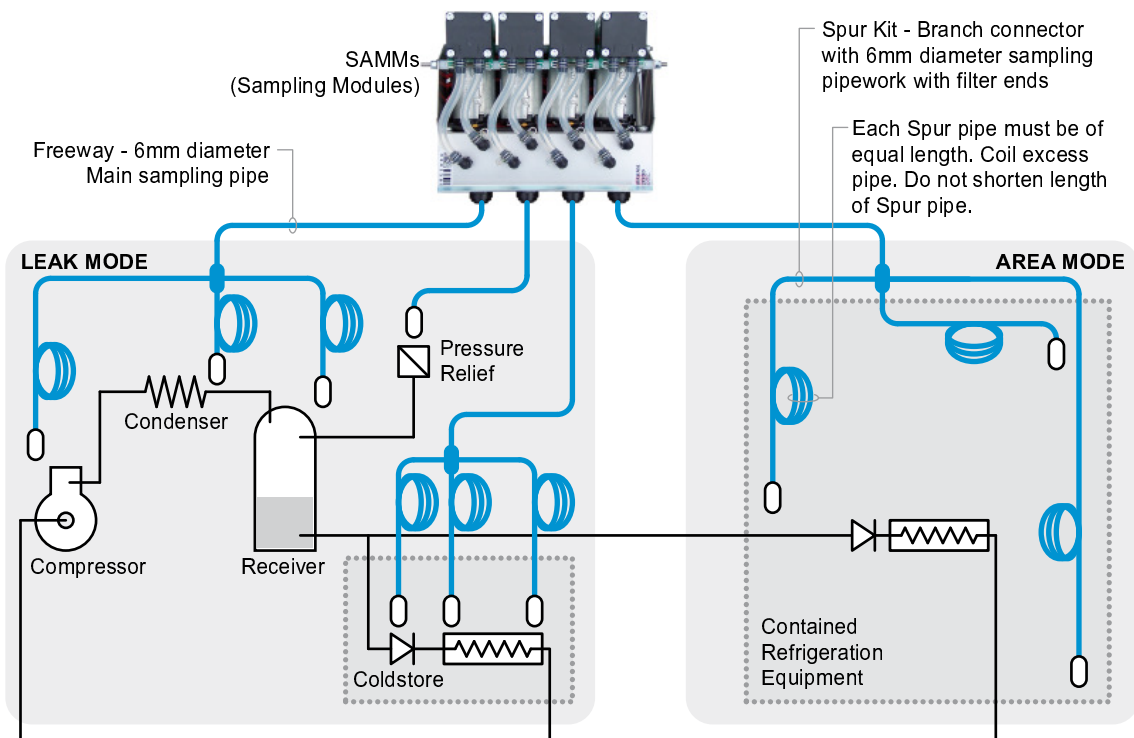
- NATO Stock No: 7H 6625-01-614-3112
- Cage Code: 09WX1
- Vibration: MIL-STD-167A-1
- Shock: Grade A MIL-S-901
- EMC: MIL-STD-461F
- UL, CSA, EN 61010
- FCC Part 15 Subpart B
- ICES-003 Issue 5

## Product Dimensions

Monitor Type	3300RM2
Height	500mm
Width	400mm
Depth	150mm
Weight	16.2kg excl. shock mounts



## Typical Sampling Installation



## Technical Specification

### Ethernet

- 10 Base-T RJ45 socket

### USB

- USB2.0, Type B socket

### Fault Alarm 16 Relays

- Volt free, change-over
- Max switching voltage: 250V ac
- Max switching current: 6A, resistive

### Display & Operator Controls Options

- Traffic lights, LCD status display & navigation keypad

### Sensor, CFC, HCFC, HFC, HFO

- Styx infrared absorption sensor
- 24V dc plus serial coms
- Resolution: 1ppm
- Accuracy: better than 15% (species dependant)

### Sample Pumps

- 24V dc, 360mA

### Maximum Number of Sample Pumps

- 8

### Maximum Length of Sample Pipe

- 500ft / 150m (including all Spur pipework)

### Operating Conditions

- Operating temperature: -9°C to 43°C
- Storage temperature: -23°C to 65°C
- Humidity: 0 to 95%, non-condensing

### Power Requirements

- 90-120V ac, 260VA, 50/60Hz

### Overcurrent Protection

- 2 x 2.5A anti-surge fuses

### Enclosure Rating

- NEMA 12
- IP54

