

RM₂

Cluster I/O Modules

A range of modular I/O applications to expand or augment Parasense product functionality.

Product Details

Versions

- **8 and 16 Relays Outputs** : Additional control eg lighting and HVAC processes
- **8 and 16 Digital Inputs** : General purpose eg BMS, faults alarms
- **4 Temperatures/4 Pressures** : 4 x PT1000 temperature inputs and 4 analogue pressure inputs
- **4 Temperatures** : 4 x PT1000 temperature inputs
- **6 Energy Circuits** : 6 x 3 phase energy monitoring circuits
- **4 High Speed Counters** : Pulse meter inputs eg gas, water and electricity
- **Analogue Sensor Trip Module** : Analogue input and relays eg network gas detection sensors

Certifications

- EN61010-1:2010
- UL61010-1
- CSA C22.2 61010-1
- MET Listing E112074

Operating Conditions

- Operating temperature: 32 to 110°F
- Storage temperature: -10 to 150°F
- Relative humidity: 0 to 95% RH (non-condensing)

Network

- RS485
- 2 rotary address switches - up to 99 addresses

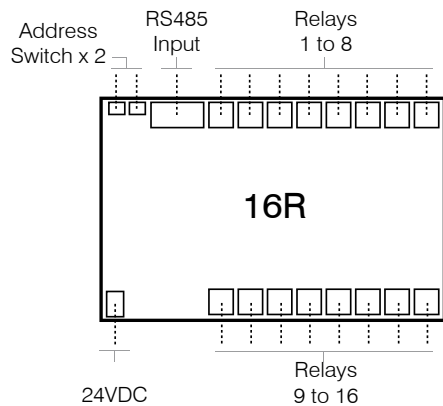
Power Requirements

- 24V DC, 650mA

Product Specification

Relay Outputs

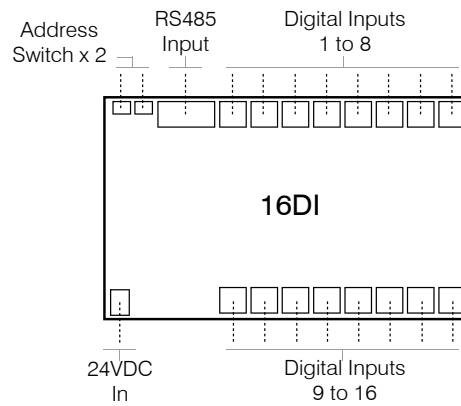
- Additional control eg lighting, HVAC processes
- Volt free change-over relay
- Max switching voltage: 250V AC/100V DC
- Max switching current: 10A AC/5A DC (resistive)



Version	Length	Width	Height
16 Relays	7.3"	7.7"	2.4"
8 Relays	4.7"	7.7"	2.4"

Digital Inputs

- General purpose inputs eg BMS signals, faults
- 0 to 24V DC
- Logic '0' < 2.5V ; Logic '1' > 2.5V



Version	Length	Width	Height
16 Inputs	5.5"	7.7"	2.4"
8 Inputs	3.7"	7.7"	2.4"



Analogue Sensor Trip Module with optional test button shown



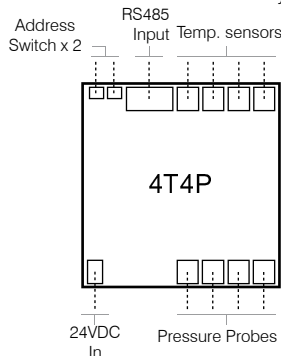
Sustainability



Product Specification (continued)

4 Temperature / 4 Pressure Inputs

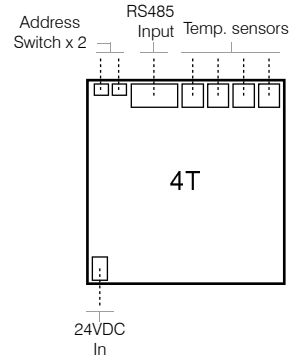
- 4 x PT1000 temperature inputs
- Range: -58 to 221°F
- Resolution: 0.15°F
- Accuracy: 1°F or 0.45% full span
- 4 x Analogue inputs
- Range: 4 to 20mA
- Supply voltage: 24V DC max, 12V DC min
- Accuracy: ± 0.05mA



Version	Length	Width	Height
4T/4P	9.4"	6.3"	3.5"

4 Temperature Inputs

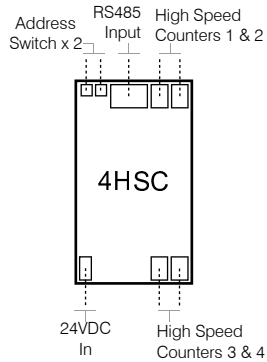
- 4 x PT1000 temperature inputs
- Range: -58 to 221°F
- Resolution: 0.15°F
- Accuracy: 1°F or 0.45% full span



Version	Length	Width	Height
4T	9.4"	6.3"	3.5"

4 High Speed Counters

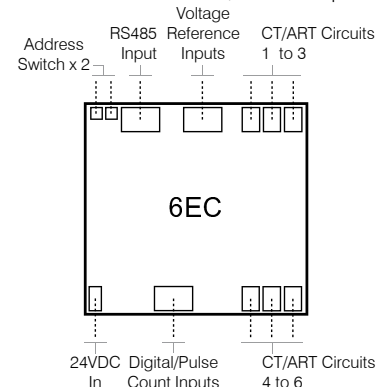
- Output (with volt free contacts): 24V DC
- Input: 0-24V DC
- Max. pulse frequency: 1kHz
- Min. pulse duration: 500µs
- Logic '0' < 2V; Logic '1' > 5V



Version	Length	Width	Height
4HSC	9.4"	6.3"	3.5"

6 Energy Circuits

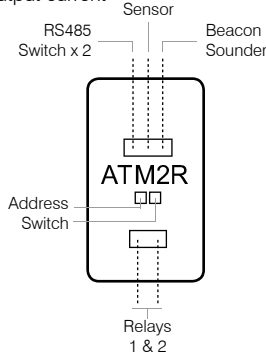
- 6 x SART Inputs
- Current range (per phase): 2-2500A
- Secondary range: 0-150mA
- Open circuit protection provided
- Accuracy: Better than 1%
- Revenue grade - complies with ANSI C12.16
- 2 x Pulse Counter Inputs
- Output (with volt free contacts): 24V DC
- Input: 0-24V DC
- Max. pulse frequency: 1kHz
- Min. pulse duration: 500µs
- Logic '0' < 2V; Logic '1' > 5V



Version	Length	Width	Height
6EC	7.3"	7.7"	2.4"

Analogue Sensor Trip Module

- Analogue input
- Range: 4 to 20mA
- Supply voltage: 24V DC max, 12V DC min
- Accuracy: ± 0.05mA
- Beacon/Sounder
- 24V DC, 200mA max output current
- 2 Output Relays
- Volt free change-over
- Max switching voltage: 250V AC/100V DC
- Max switching current: 10A AC/5A DC (resistive)



Version	Length	Width	Height
ATM2R	6.3"	3.5"	2.4"



PDS RM2CLUSTER USA rev6 ISO 9001:2015



Parasense Ltd.
 Unit 12, Olympus Park, Quedgeley, Gloucester. GL2 4NF. UK
 Tel: +44 (0)1452 724123 Fax: +44 (0)1452 724234
 www.parasense.com/en/

Parasense Inc.
 9661 Spotswood Trail, Stanardsville, VA 22973. USA
 Tel: +1 (540) 948 9919 Fax: +1 (434) 990 9214
 www.parasense.com